

# HB4 NIGHT VISION 3600K



## Product Description

The Night Vision bulbs give up to 100% more light than standard halogen lamps. Improved visibility and illumination - the light emitted gives the driver better visibility and increased awareness of the risks at night. This allows you to see road signs, obstacles and hazards sooner and the driver is left with more time to react.

- Up to + 100% more light
- Up to + 40m more distance
- Up to + 25% whiter light
- Fully road legal

Lunex halogen bulbs produce up to two times more luminous power than standard bulbs, thereby improving driving safety in all conditions, provide maximum visibility. They last far longer than standard bulbs. The light they provide is more intense and offers a consistent, clearly defined beam.

Unique patented packaging to ensure reliability of the product transport as per picture above.

UV filter – extended the lifetime of bulbs - increase the life span.

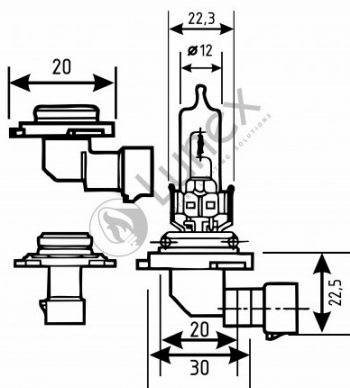
HQ UV Quartz Glass is a very strong glass, resistant to extreme temperatures and vibrations, eliminating the risk of explosion. UV quartz glass emits a stronger, cleaner light.

Simple to use, no need to change the lamp line and easy installation (plug in & replace stock light bulbs).

Authenticity confirmation - QR code

International warranty - 1 year

High Quality Premium Replacement Bulbs



## Technical data

Power input	55 W
Nominal voltage	12.0 V
Nominal wattage	55 W
Base	P22d
Color temperature	3600K
Luminous flux	1000 lm