

H11 PLASMA BLUE 4200K



Product Description

Headlights feature an advanced technology which produces stylish blue tint. Blue lights which enhance and improve the vehicle's vision as it reflects back with light blueness around the car. These are the bluest high quality halogen bulbs they provide up to 80% more light and create that HID Xenon look.

- Up to + 30m more distance
- Up to + 80% more light
- No ECE confirmation / E-Mark – only off road use

Lunex halogen bulbs produce up to two times more luminous power than standard bulbs, thereby improving driving safety in all conditions, provide maximum visibility. They last far longer than standard bulbs. The light they provide is more intense and offers a consistent, clearly defined beam.

Unique patented packaging to ensure reliability of the product transport as per picture above.

UV filter – extended the lifetime of bulbs - increase the life span.

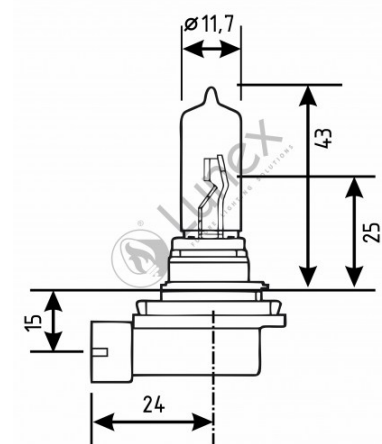
HQ UV Quartz Glass is a very strong glass, resistant to extreme temperatures and vibrations, eliminating the risk of explosion. UV quartz glass emits a stronger, cleaner light.

Simple to use, no need to change the lamp line and easy installation (plug in & replace stock light bulbs).

Authenticity confirmation - QR code

International warranty - 1 year

High Quality Premium Replacement Bulbs



Technical data

Power input	55 W
Nominal voltage	12.0 V
Nominal wattage	55 W
Base	PGJ19-2
Color temperature	4200K
Luminous flux	1350 lm